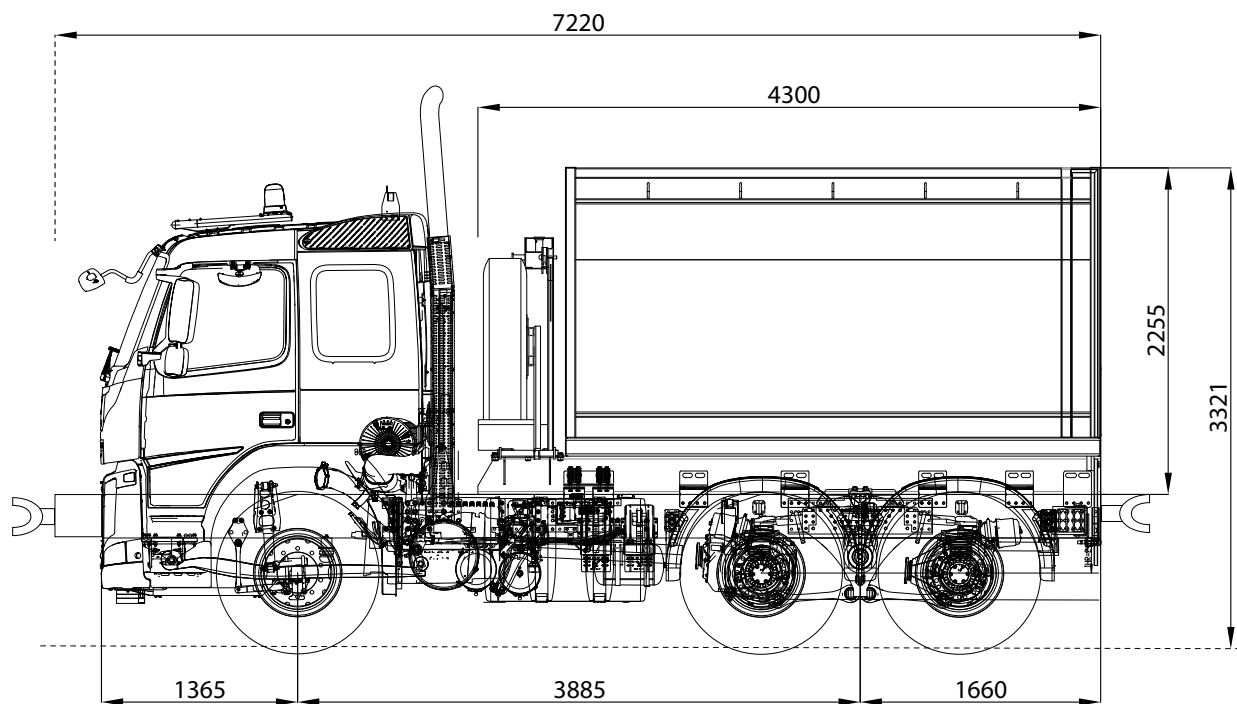




Volvo Trucks. Driving Progress

VOLVO FM 460 6X4 BS-VI PULLER





ENGINE

Six-cylinder, in-line direct-injection diesel engine	
Overhead camshaft with four valves per cylinder	
Electronically regulated fuel injection with unit injectors.	
Exhaust after treatment by Selective Catalytic Reduction (SCR) technology with AdBlue Tank	
Displacement	12.8 litre
Bore x stroke	131 mm x 158 mm
Compression ratio	18:1
Max. power	460 hp @ 1400-1800 rpm
Max. torque	2300 Nm @900 -1400 rpm
Economy speed range	950-1400 rpm
Emissions*	BS-VI / Euro 6
Max. engine brake power	502 hp (VEB+) @ 2300 rpm

CLUTCH

Power assisted push type single plate friction disc,	
Plate diameter	430 mm

GEARBOX

I-Shift Automated gearbox	
Heavy duty transmission oil cooler with additional radiator	
Two crawler gears, one ultra low crawler gear, one crawler gear	
I-Roll, Shift strategy, smart cruise control features for economy driving	
No. of gears	12 Forward + 6 Reverse + 2 crawler
Ultra Low Crawler (ULC) gear ratio	32.04:1
Reverse Crawler gear ratio	37.49:1

FRONT AXLE

Heavy duty steerable front axle	
Capacity	9000 kgs/ 9T

REAR AXLE

Drive tandem hub-reduction axles with four planetary gears	
Differential locks – Inter-wheels and Inter-axles	
Ratio	6.18:1
Capacity (Tandem axles)	33000 kgs/33T

SUSPENSIONS

Front

Parabolic leaf suspension stiffer than normal	
Double-action shock absorbers and stabilizers	
No. of leaves	3

Rear

Heavy-duty bogie suspension with conventional multi-leaf spring	
Rubber-journalled V-stays, reaction rods, stabilizer and two shock absorbers	
No. of leaves	9

WHEELS AND TYRES

Tyre size	12.00 R20, Radial
Wheel rim size	8.5" x 20"
Total no. of wheels fitted	10
1 no. spare wheel rim and tyre mounted on front side of ballast body	

CHASSIS FRAME	
'C' channel section side members made of high strength steel	
Depth	300 mm
Flange width	90 mm
Section thickness	8 mm
STEERING	
Hydraulic power steering with variable displacement	
Tilt and telescopic steering wheel	
Steering wheel diameter	500 mm
FUEL AND AD BLUE	
D-shaped fuel tank mounted on right hand side	
Right Fuel tank capacity	330 litre
AdBlue tank capacity	64 litre
EXHAUST SYSTEM	
Horizontal muffler, vertical exhaust outlet on right hand side	
BRAKES	
Dual-line air brake system	
Z-cam drum brakes with automatic adjustment & ABS	
Electronic parking brake activation	
Spring-type parking brake chambers on front and both rear axles	
PNEUMATICS	
Gear-driven, dual cylinder reciprocating air compressor	
Max. compressor capacity	1080 l/min
Electronically controlled Air Pressure Modulator (APM)	
Total air tank capacity	101 litre
ELECTRICALS	
System voltage	24 V
Volvo maintenance free batteries	2 nos
Battery voltage	12 V
Battery capacity	170 Ah
Alternator capacity	110 A
CABIN	
FM sleeper cabin	
Crash tested steel welded structure	
Accommodation	1 driver + 1 co-driver + 1 bunk
Cabin tilt angle	70°
Interiors	
Air bag on driver's side	
Electrical manually controlled climate unit	
Ergonomically designed dashboard with easy access stalks, switches & controls	

Instrument cluster with easy glance displays and on-board diagnostics	
Air suspended driver's seat with adjustment of fore-aft, height, backrest, lumbar support, a shoulder, seat cushion extension seat tilt.	
Cushioned foldable co-driver seat	
Red safety belt	
Lower sleeper bunk with cushion	

Exteriors	
Distinct V-shape Daytime Running Light (DRL)	
Integrated head lamp unit with higher illumination main beam	
Fog light and static cornering light	
Cab fully suspended by four coil springs and shock absorbers	

TELEMATICS	
Dynafleet- Volvo Fleet services	

TOOLS AND ACCESSORIES	
Standard tool kit, first aid kit, two warning triangles, bulb and fuse kit	
20 ton hydraulic jack	
Two beacon lamps	

BALLAST BODY	
All steel welded construction body	
Body made of high yield strength steel	
Subframe as per Volvo Body builder Instructions (VBI)	
Two different sizes of concrete blocks weights provided	
Winch type mechanism for removal & remounting of spare wheel	
Hooks on the sides for covering the body	
Ladder and tool boxes at the rear	

TOW HOOK	
Tow hook fitted on front and rear heavy-duty end cross member	
Usable draw bar eye diameter 50 mm	

VEHICLE DIMENSIONS	
Wheel base	4085 mm
Overall length	7313 mm
Overall width	2534 mm
Overall height	3938 mm

VEHICLE LIMITS	
Front Axle	7T
Rear Axle	28.5T
GCW with 8 axle modular hydraulic trailer	179.5T

Caution: Do not drill or weld on the frame. Note: Volvo has policy of continual product improvement. The specifications / images shown here are indicative and are subject to change without prior notice. Performance parameters are subject to stability of the vehicle. Accessories shown are not part of the standard equipment.

VOLVO

www.volvotrucks.in

Unit No. 502, 5th Floor, Southern Wing (Wing-B), Embassy Prime, Bagmane Techpark, C V Raman Nagar, Bengaluru - 560 093.

Phone: +91 80 6788 7000, Fax: +91 80 6788 7124

For more information contact: vtimarketing@volvo.in

Follow us on:     / Volvo Trucks India